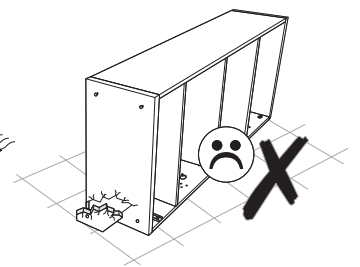
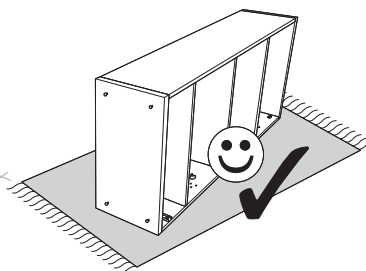
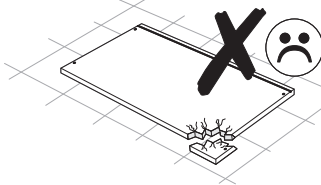
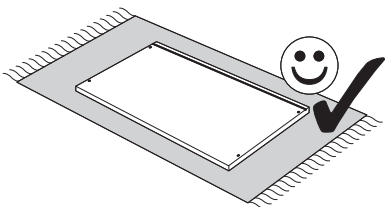
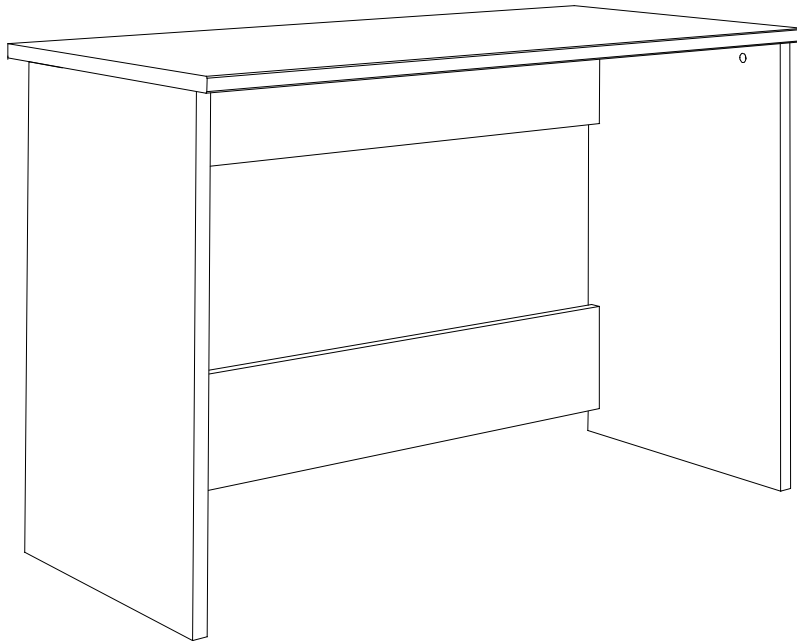
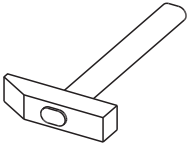
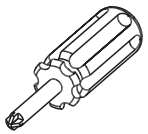
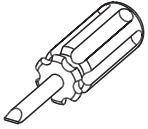
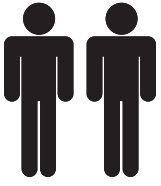
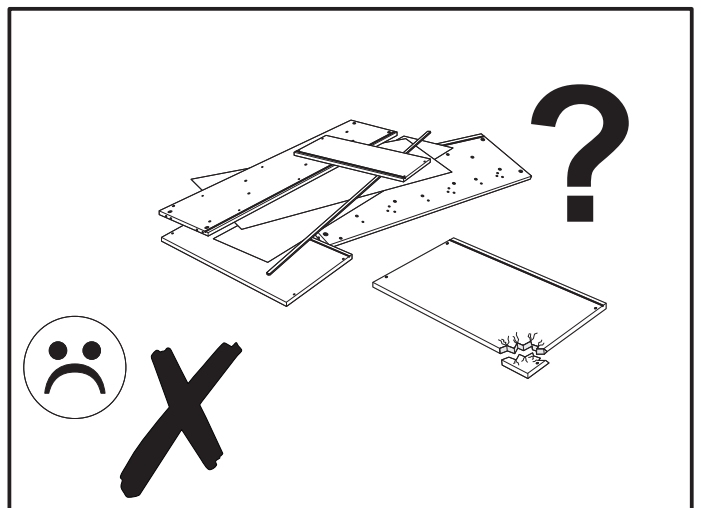
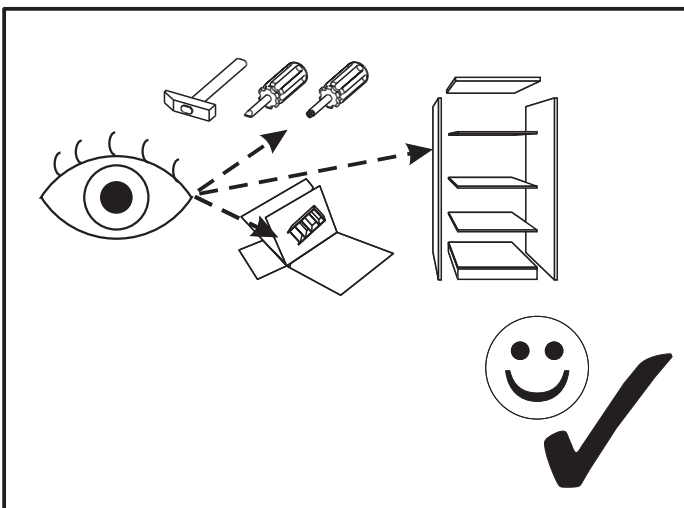
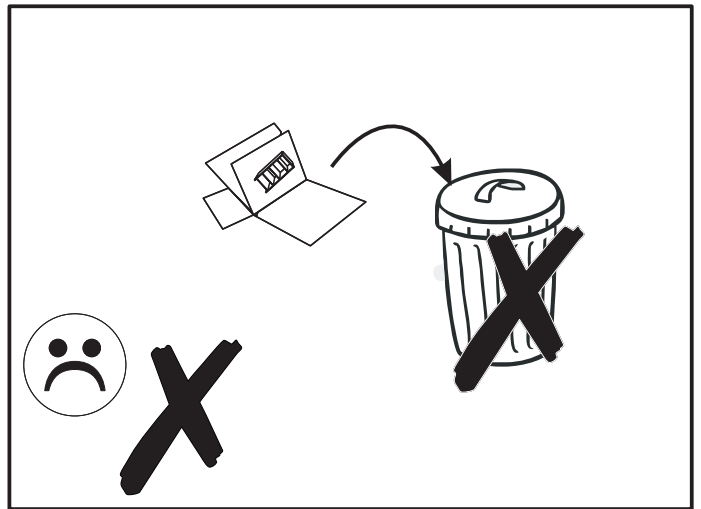
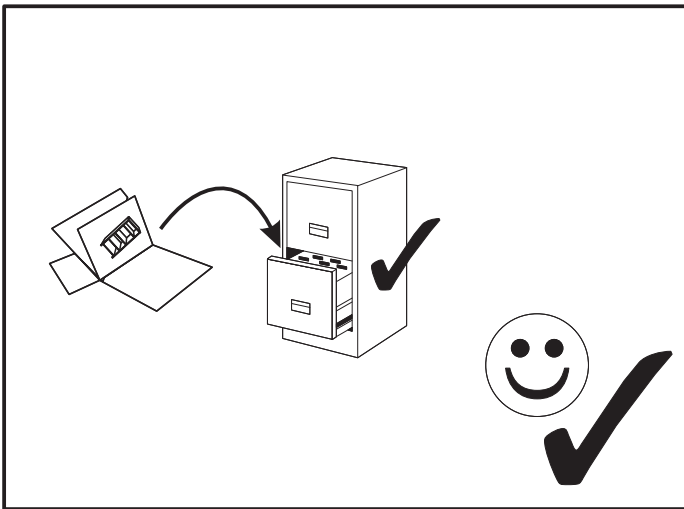
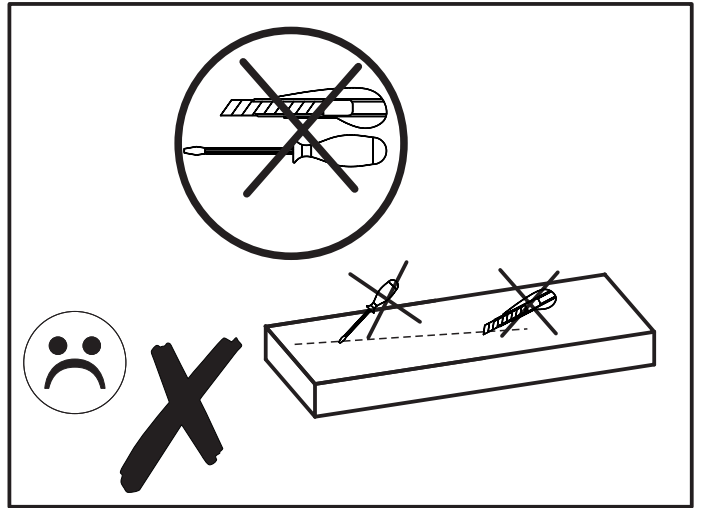
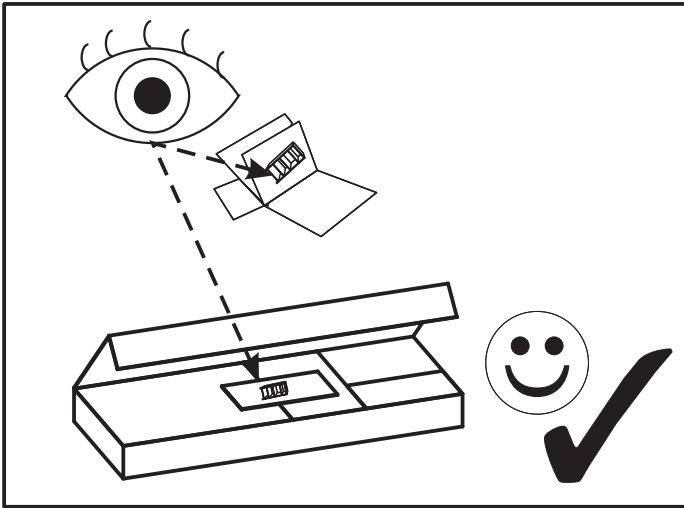
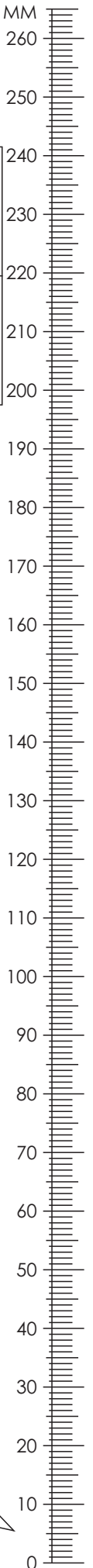



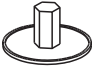


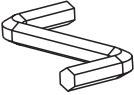
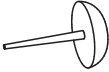
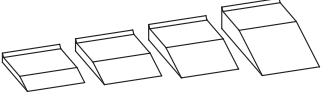
# AMAZON TYP81

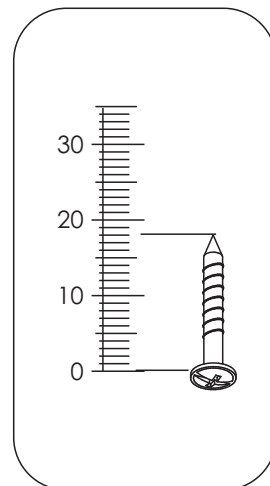




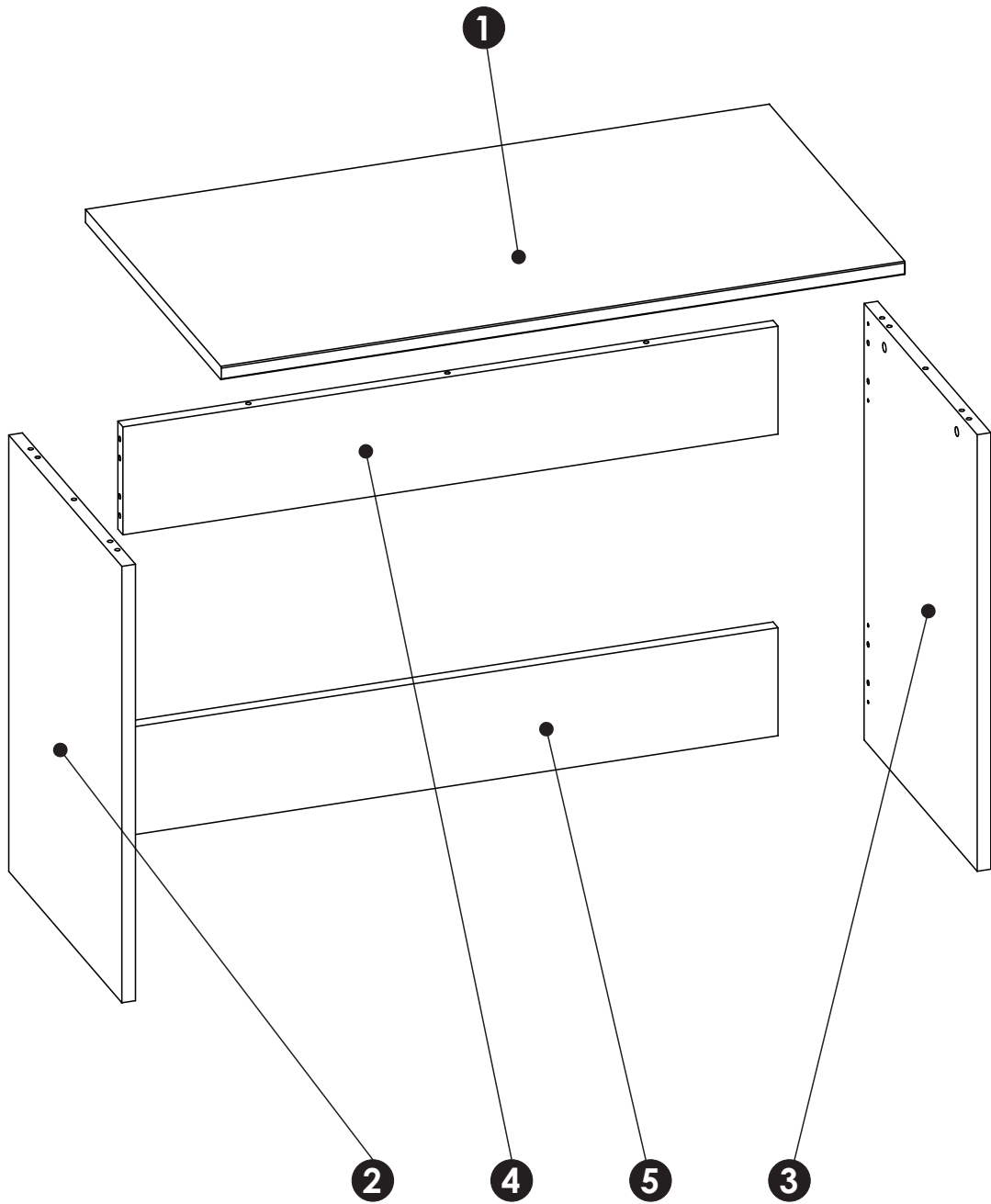
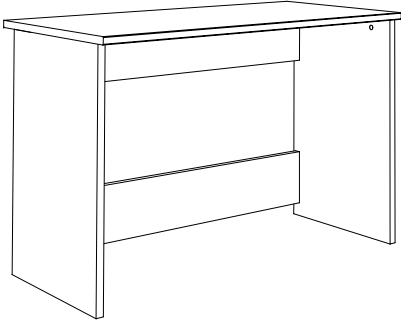
# AMAZON TYP81

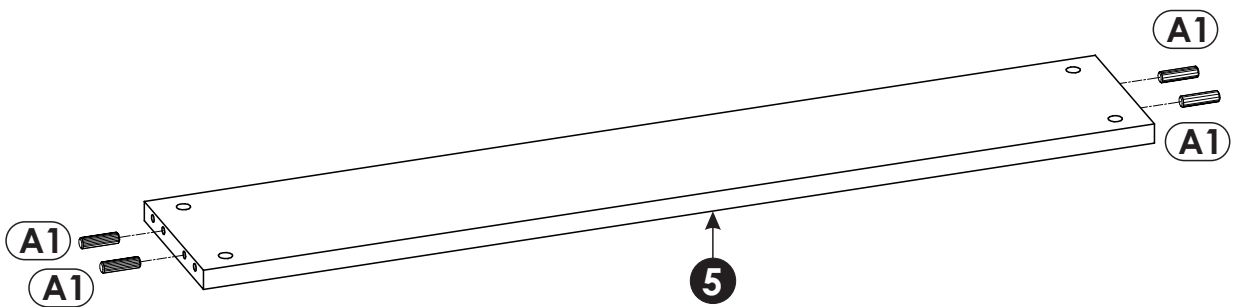
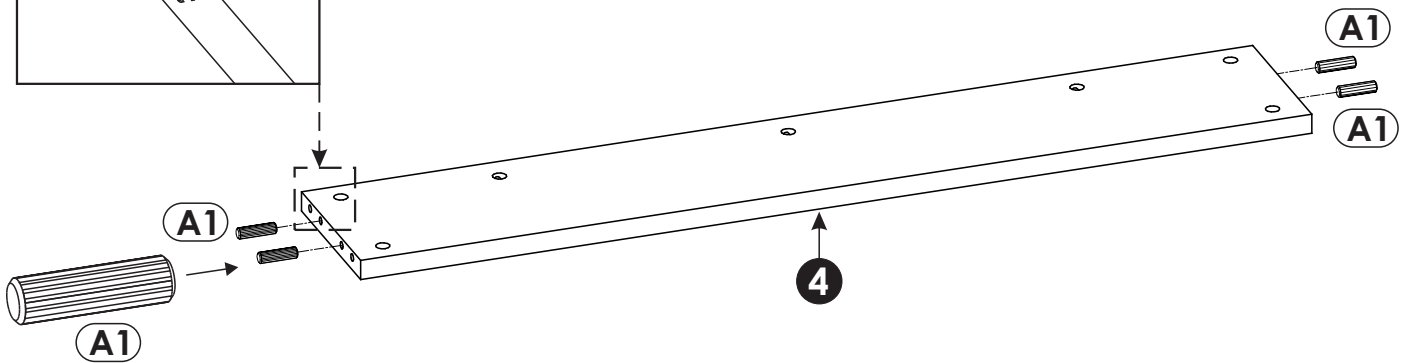
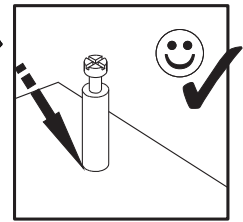
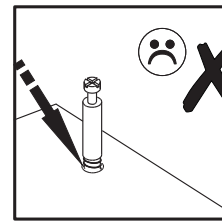
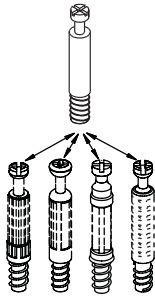
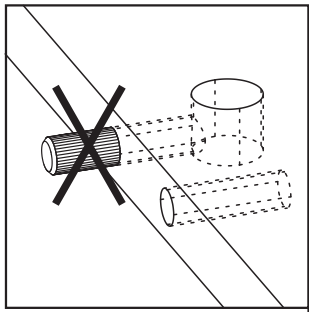
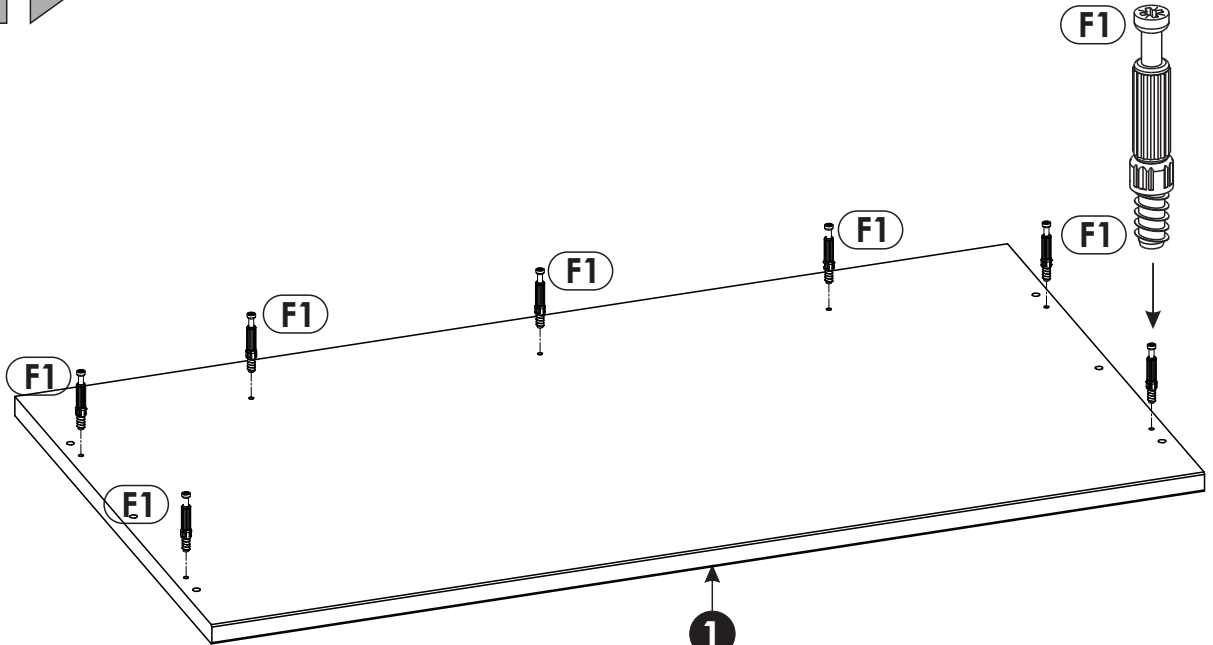
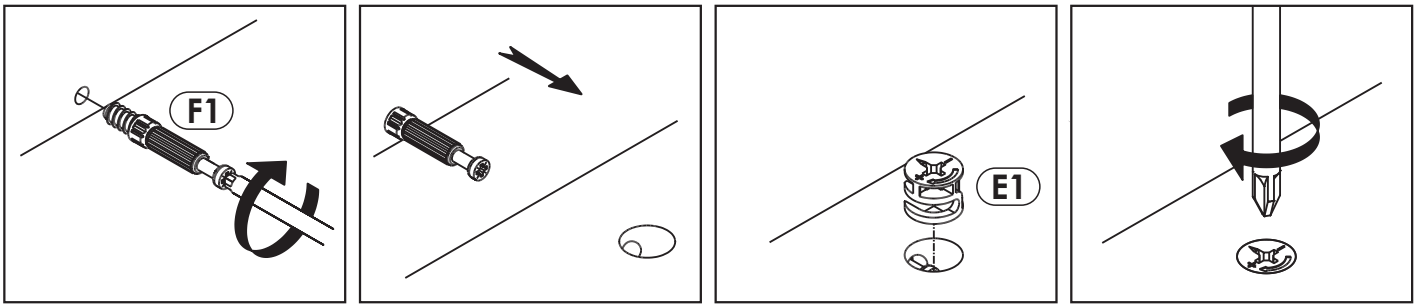


<b>A1</b> x14 $\varnothing 8 \times 35$ mm 	<b>E0</b> x15 	<b>E1</b> x15 $\varnothing 15 \times 12$ mm 
<b>F1</b> x15 	<b>M</b> x1 	<b>O2</b> x4 
<b>Z</b> x1 		

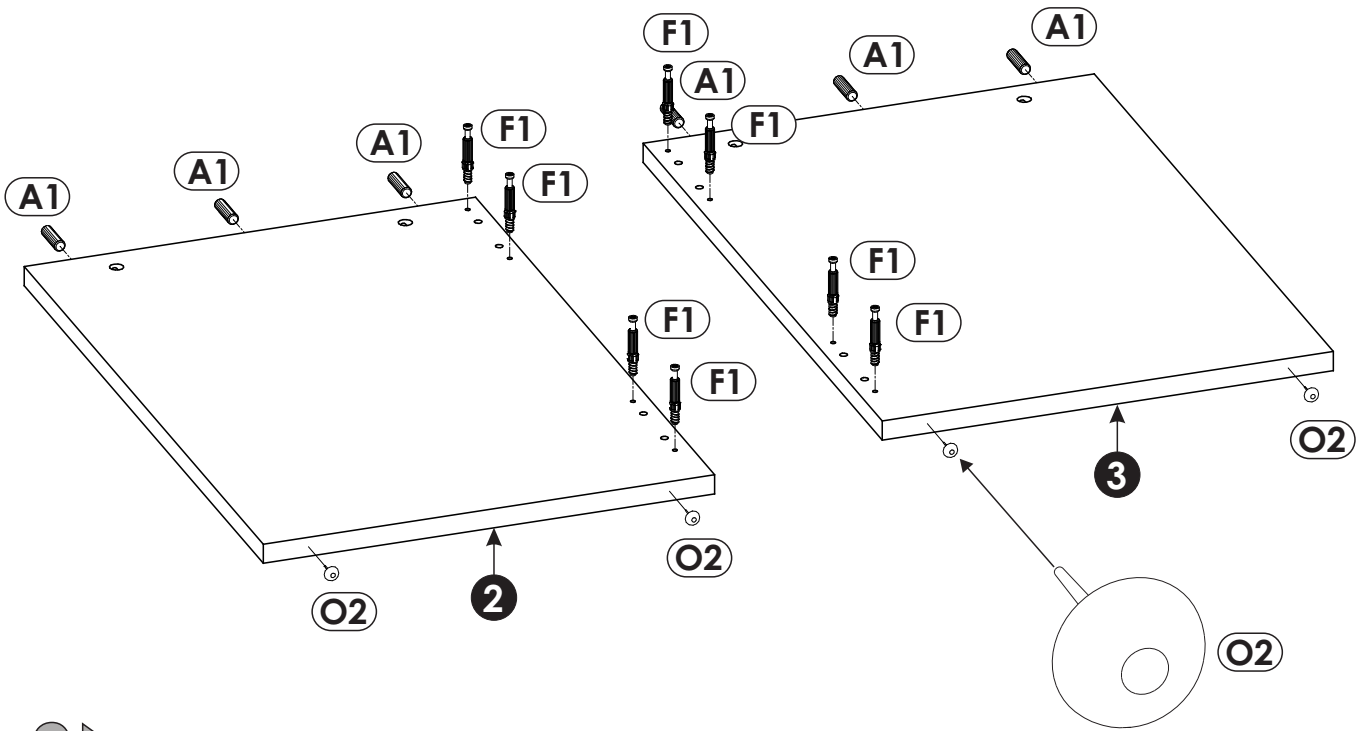


# AMAZON TYP81





2 ▶



3 ▶

